

Medical



MP-100

The Addfield Medical Pathological (MP) range of Incinerators.
The MP range is specially designed for safely incinerating hazardous high moisture biological red bag waste.



The MP-100 is Addfields most compact medical incinerator. Securely destroying a complete range of Medical, Pathological and Clinical waste. Designed and built along the latest advances in medical incineration.

Benefiting from Hot Hearth technology, efficiently recycling heath throughout and below the primary chamber, delivering complete 360° heating. Unrivalled in it's field boasting a 40% reduction in fuel consumption compared to alternative solutions.

The MP-100 is ideally suited for facilities of between 10-200 beds and equivalent.

Machine Specification

External L x W x H (inch)	93.5 x 45 x 76.5/139
Internal L x W x H (inch)	31.5 x 26.5 x 27.5
Chamber Volume (ft ³)	13.42
Weight (approx tonnes)	2.8
Max Load Capacity (lbs)	220
Power Supply 50/60 hz	110v-120v
Thermal Capacity (kW)	390
Door Aperture (inch)	15 x 21.5
Hot Hearth Principle	Double Pass
Fuel Types	Diesel, LPG, N-Gas
Control Panel	AIC or PLC
Insulation Board	1" Superwool
Insulation Fire Brick	Grade E23
Fire Brick (Alumina)	42.5%

*We reserve the right to change the specification, dimensions and quality of materials from time to time, so long as the alteration is minor or an improvement to the said product.

Primary Chamber

- Heavily insulated internal refractory lining. Constructed from high grade refractory brick ensuring a secure self supporting, interlocking arrangement.
- Manually opening, securely locking, access door with viewing port.
- Automatic temperature controlled on-off waste ignition burner complete with internal air fans.
- Hot Hearth Combustion Burner, temperature controlled on-off, complete with internal air fans.
- Secondary combustion burner air fans, automatically controlled distribution to their designated area.
- Two temperature sensor mounting points.

Secondary Chamber

- Fully insulated internal refractory lining. Constructed from high grade refractory brick and low thermal mass insulation.
- Secondary chamber burnout burner, temperature controlled on-off complete with internal air fans
- Automatically controlled integrated combustion burner air fans.
- Temperature sensor mounting point at the base of the exit flue ensuring the chamber reaches the necessary 1012°F minimum, with a 2 second retention time.

Waste Type

	Clinical Waste	✓
	Treated Waste	✓
	Anatomical Waste	✓
	Cytotoxic & Cytostatic Waste	✓
	Offensive/Hygiene Waste	✓
	Medicinal Waste	✓
	Domestic (municipal) Waste	✓

Medical



MP-100

The Addfield Medical Pathological (MP) range of Incinerators.

Waste Loading and De-Ashing

The MP series of incinerators are ergonomically designed for easy and safe loading of all medical waste streams. Loading through the front facing door can be completed manually or with the aid of a hydraulic lifting table. The MP machines can be loaded multiple times throughout a cycle. At the end of every incineration process, ash should be discharged through the loading door onto the supplied catcher tray prior to being loaded for the next burn.

The Addfield Difference

- Pre-Fabricated 0.3 inch robust mild steel casing, seam welded and suitably stiffened/ braced where necessary.
- Lightweight resilient refractory fibre insulation door, providing a tight seal, giving excellent thermal efficiency.
- Primary and secondary chamber lining thickness 7.0 inch rated up-to 3002°F.
- Premium paint finish - Steel structures are painted using a two-pack high grade paint system.
- Unique Hot Hearth technology enabling increased efficiency of incineration by providing additional heating below the chamber encouraging 680°F heat distribution.
- Multi-layered refractory lining using fire bricks and insulation bricks, improving thermal efficiency.



Additional Operation Equipment



Hydraulic Lift Table

Providing an easier way of lifting weights up to 330.6 lbs. Having an extendable bed for safer loading. Height adjustable up to 4.2ft, and a pull lever to smoothly lower the table. Ball bearing assisted loading tray.



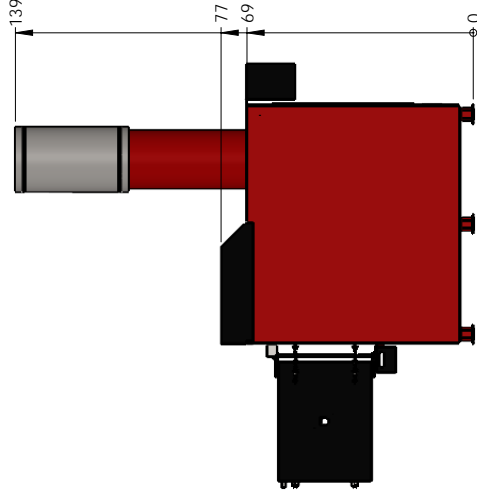
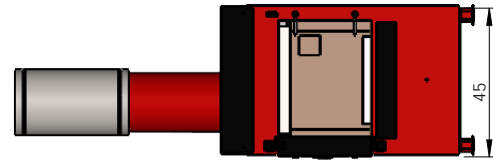
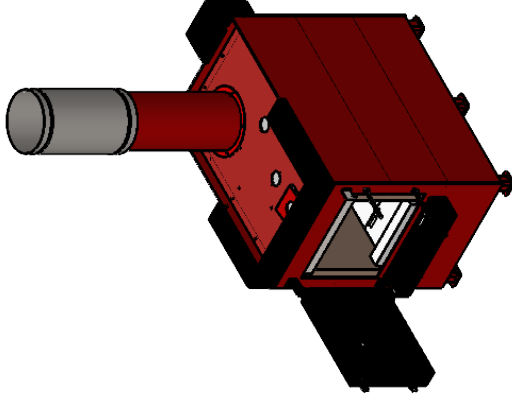
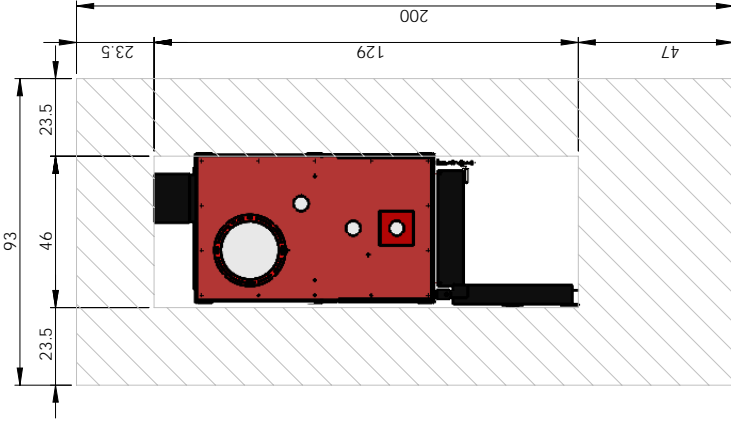
Fuel Tank

Allowing you to operate the incinerator in all locations as well as providing a backup to your traditional supply. Available in 219.9 to 1099.8 gallon capacity. Fuel can be safely stored and monitored in close proximity to your incinerator.



Venturi System

An advanced flue gas treatment system designed to further reduce dust, acid gasses, dioxins and furans. Highly effective the venturi is widely regarded as the leading treatment system in its field.



DATE	DRAWN	CHECKED	APPROVED	DATE	DRAWN	CHECKED	APPROVED	DATE	DRAWN	CHECKED	APPROVED
				24/10/22							
DATE	DRAWN	CHECKED	APPROVED	DATE	DRAWN	CHECKED	APPROVED	DATE	DRAWN	CHECKED	APPROVED
COMMENTS				COMMENTS				COMMENTS			
C				B				A			
COMMENTS				COMMENTS				COMMENTS			
ISSUE FOR MANUFACTURE				ISSUE FOR MANUFACTURE				ISSUE FOR MANUFACTURE			

Addfield Environmental Systems Ltd
 Unit 9, Zone 4
 Burnwood Business Park
 Burnwood, Wiltshire
 WST 3AD

Drawings are the property of Addfield Environmental Systems, and no part of this drawing may be reproduced or transmitted in any form or by any means, electronic, mechanical, photocopying, recording, or by any information storage and retrieval system, without the prior written permission of Addfield Environmental Systems.

MP 100 Sale GA A
 SCALE: 1:40
 SHEET 1 OF 1

REV -
 A3

TITLE:
Sale GA

PROJECT:
M100

T: +44 (0)1543 571 280
 E: sales@addfield.com
 www.addfield.com



WEIGHT: 3632.72 Kg

MATERIAL:
 N/A

FINISH:
 N/A



THIRD ANGLE PROJECTION
 (UNLESS STATED OTHERWISE)

TOOLERANCES UNLESS OTHERWISE STATED

FABRICATION	MACHINING	ANGULAR
± 1	± 0.05	± 0.05
> 100 up to 400	± 0.08	± 0.08
> 400 up to 1000	± 0.10	± 0.10
> 1000 up to 2000	± 0.15	± 0.15
> 2000 up to 4000	± 0.20	± 0.20
> 4000 up to 8000	± 0.30	± 0.30
> 8000 up to 12000	± 0.40	± 0.40
> 12000 up to 16000	± 0.50	± 0.50
> 16000 up to 20000	± 0.60	± 0.60
> 20000	± 0.70	± 0.70

MP 100 Sale GA A
 SCALE: 1:40
 SHEET 1 OF 1