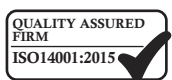


Medical

GM350

For complete destruction of General Medical (GM) waste.

Highly effective top loading incinerator for secure disposal of sharps, general medical, clinical, and pathological waste.



The GM350 is highly flexible compact incinerator. Designed for complete destruction of general medical waste. Manufactured to deliver optimum results through retaining maximum heat within the main chamber. Constructed with a multi layered 7inch brick refractory placing our machines at the forefront of quality.

The GM350 has a 20.84 ft³ chamber volume, making it ideal for smaller hospitals and clinical practices. Utilising pulse firing burners, our GM range of incinerators are up to 40% more efficient than other machines, saving fuel and money. This machine perfect for laboratories and clinical centres.

Machine Specification	
External L x W x H (in)	146.5 x 85 x 74.5/149
Internal L x W x H (in)	52 x 28 x 27.5
Chamber Volume (ft ³)	20.84
Weight (approx tonnes)	3.1
Max Load Capacity (lbs)	770
Thermal Capacity (kW)	260
Power Supply 50/60 hz	110v-120v
Door Aperture (in)	50 x 27
Control Panel	AI or PLC
Fuel Types	Diesel, LPG, N-Gas
Insulation Board	0.9 inch Superwool
Insulation Fire Brick	Grade E23
Fire Brick (Alumina)	42.5%

*We reserve the right to change the specification, dimensions and quality of materials from time to time, so long as the alteration is minor or an improvement to the said product.

Primary Chamber

- Pre-cast block impact zone protecting refractory lining during loading.
- Heavily insulated internal brick refractory, constructed along an interlocking systems to ensure maximum strength and resilience.
- Premium grade high alumina content refractory brick work delivering optimal thermal retention.
- Top loading counter balanced insulated access lid.
- Temperature controlled waste ignition burner automatic on-off, complete with internal air fans.

Secondary Chamber

- Fully insulated internal refractory lining. Constructed from high grade low thermal mass insulation.
- Temperature controlled Secondary chamber burnout burner with automatic on-off control, complete with internal air fans.
- Integrated combustion burner air fans automatically controlling distribution to designated areas.
- Temperature sensor mounting point at the top of the chamber, ensuring the chamber reaches the required 2012°F minimum, with a 2 second retention time.

Waste Type		
	Clinical Waste	✓
	Treated Waste	✓
	Anatomical Waste	✓
	Cytotoxic & Cytostatic Waste	✓
	Offensive/Hygiene Waste	✓
	Medicinal Waste	✓
	Domestic (municipal) Waste	✓

Medical

GM350

For complete destruction of General Medical (GM) waste.



Waste Loading and De-Ashing

The GM range of incinerators are designed for top loading directly into the primary chamber. Loading can be manual or mechanically through digger or hydraulic bin tippler. To be loaded no more than once per day prior to operation. The incineration process will reduce the waste to approximately 3% volume, ash. The ash should be removed before the following waste is loaded to ensure optimum burn rates. Optional de-ashing doors are available.

The Addfield Difference

- Pre-Fabricated 0.3 inches of robust mild steel casing, seam welded and suitably stiffened/ braced where necessary.
- Optimised loading chamber for maximum operational capacity.
- Lightweight resilient refractory fibre insulated lid, providing a tight seal, giving excellent thermal efficiency.
- Counterweighted loading chamber lid for ease of use.
- Primary chamber lining thickness 7.0 inches rated up-to 3002°F
- Premium paint finish - Steel structures are painted using a two pack high grade paint system.
- Multi-layered refractory lining using fire bricks and insulation bricks, improving thermal efficiency.



Additional Operation Equipment



Bin Tipper

The Bin Tipper unit empties waste within the bin using a unique electro-hydraulic mechanism that can lift and tip more than 330.6 lbs. Hands free loading ensures operators safety, when dealing with hazardous waste.



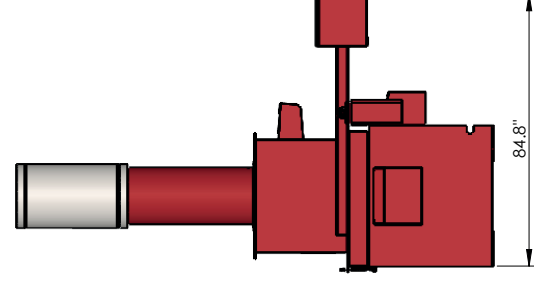
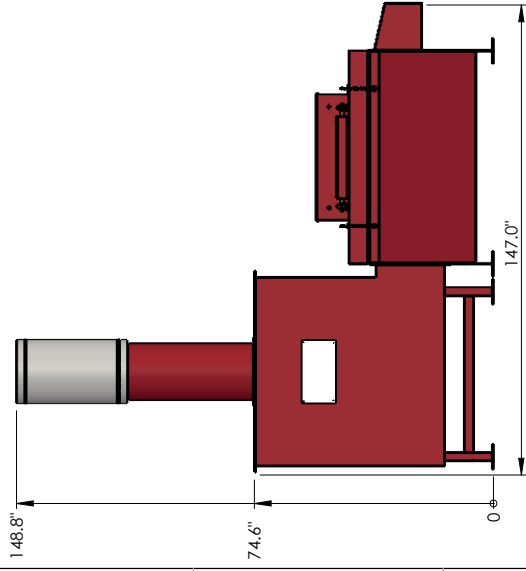
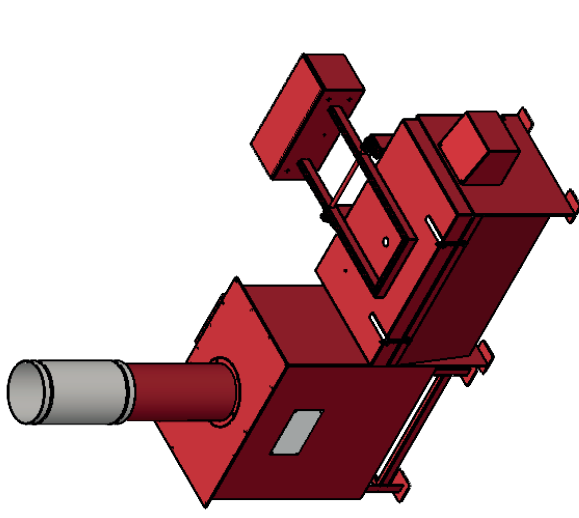
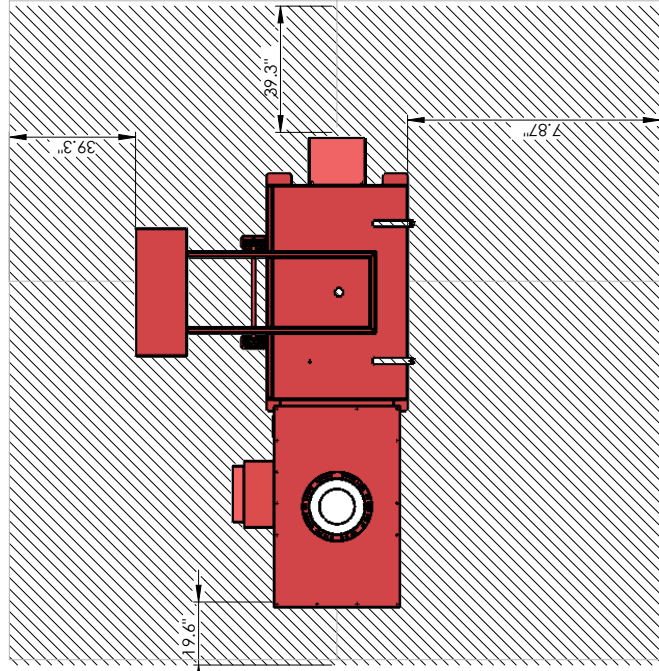
Fuel Tank


Allowing you to operate the incinerator in all locations as well as providing a backup to your traditional supply. Available in 219.9 to 1099.8 gallon capacity. Fuel can be safely stored and monitored in close proximity to your incinerator.



Venturi System

The Venturi is an advanced flue gas treatment system designed to further reduce dust, acid gasses, dioxins and furans. Highly effective, the venturi is widely regarded as the leading treatment system in its field.



MATERIAL: N/A		FINISH: N/A	
WEIGHT: 4255.1 lbs			
 THIRD ANGLE PROJECTION (UNLESS STATED OTHERWISE)			
TOLERANCES UNLESS OTHERWISE STATED			
FABRICATION		ANGULAR	
2 to 50	± 0.05	0.5 up to 0.3	± 0.05
>50 up to 120	± 0.1	>3 up to 0.6	± 0.05
>120 up to 400	± 0.2	>4 up to 30	± 0.1
>400 up to 1000	± 0.3	>30 up to 120	± 0.15
>1000 up to 2000	± 0.4	>120 up to 400	± 0.2
>2000 up to 4000	± 0.5	>400 up to 1000	± 0.3
>4000 up to 8000	± 0.6	>1000 up to 2000	± 0.3
>8000 up to 16000	± 0.8	>2000 up to 4000	± 0.5
>16000 up to 20000	± 1.0	>4000 up to 8000	± 0.5
>20000	± 1.2	>8000 up to 20000	± 0.6
		>20000	± 1.6

addfield
Incinerate • Cremate

PROJECT: Gm350

T: +44 (0) 1545 571 280
E: sales@addfield.com
www.addfield.com

Addfield Environmental Systems Ltd
Unit 9, Zone 4
Burntwood Business Park
Staffordshire
WS7 3XD

TITLE: Sale GA

DRAWING No. Gm350 Sale GA

REV -

SHEET 1 OF 1 SCALE: 1:40 A3

DATE	DRAWN	CHECKED	APPROVED	DATE	DRAWN	CHECKED	APPROVED	DATE	DRAWN	CHECKED	APPROVED
				30/10/2022	A						
COMMENTS			COMMENTS			COMMENTS			COMMENTS		
XX			XX			XX			XX		
ISSUE FOR MANUFACTURE											
Addfield Environmental Systems Ltd Incinerate • Cremate All rights reserved. No part of this document may be reproduced, stored in a retrieval system, or transmitted in any form or by any means, electronic, mechanical, photocopying, recording, or by any information storage and retrieval system, without the written permission of Addfield Environmental Systems Ltd.											